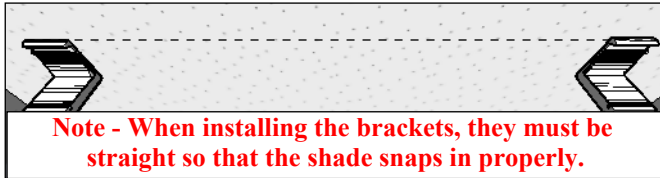
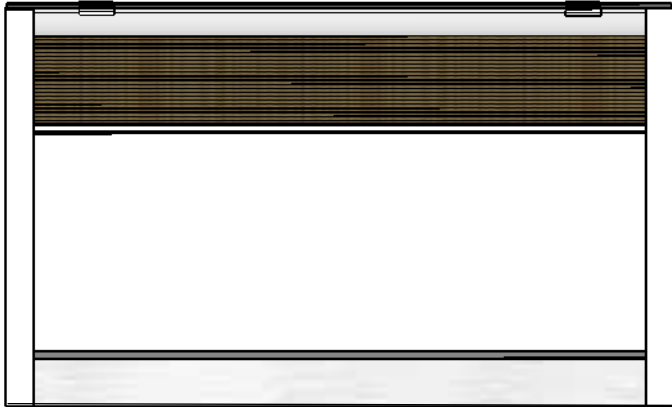


Motorized Skylight Honeycomb Shade Instructions

Congratulations on your purchase of a specialty shade from DEL Motorized Solutions.
If you have any questions, please call technical support at 1-866-446-6867
or email us at info@motorizedsolutions.com



Important Notes - Please Read Before Installing



CAUTION: RISK OF FALLING OBJECTS

Securely install the shade system per the mounting instructions. Failure to do so could result in minor or moderate injury.



WARNING: SHOCK HAZARD

Can cause serious injury or death. Turn off power at the main service panel before connecting or servicing a shade with a wired power supply.



Shade brackets and hardware are to be anchored into wood blocking. If wood blocking is not available, you must use appropriate fasteners (not included) to support the weight of the system and load.



Pre-drill all holes with the appropriate size bit.

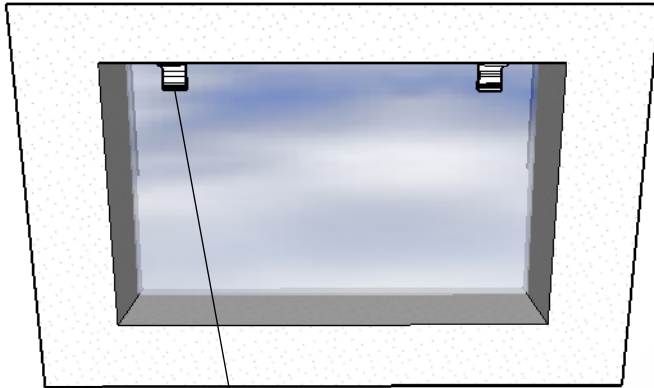
TOOLS REQUIRED

Pencil, Tape Measure, Powered Screwdriver / Drill, Level, 1/4 hex head driver, #2 Phillips screwdriver, wire cutter/stripper, drill bits, 1/2" counter sink bit, spray silicone.

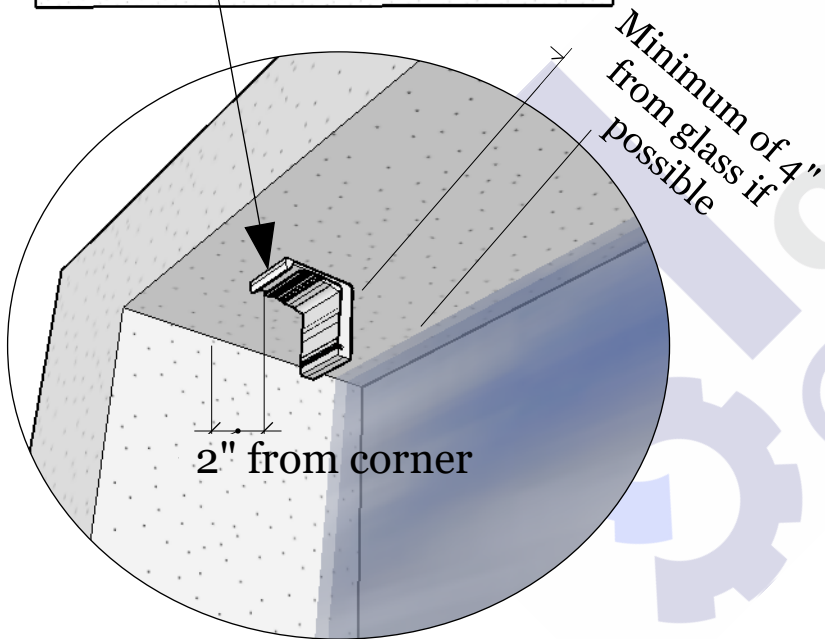
Step 1 - Installing the brackets

Install the brackets using anchors strong enough to support the weight of the shade.
Center brackets are provided and should be used on wide shades.

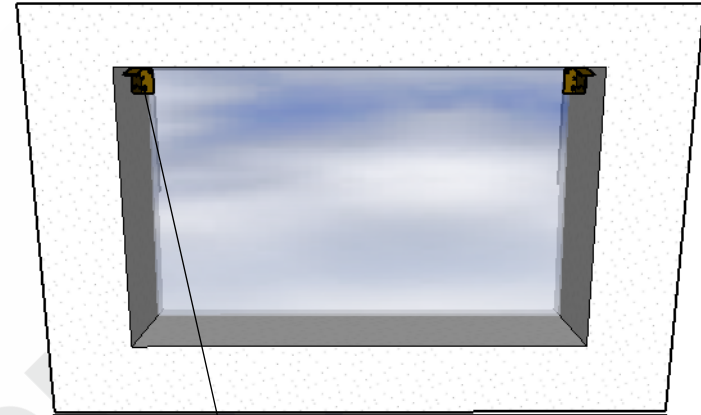
A



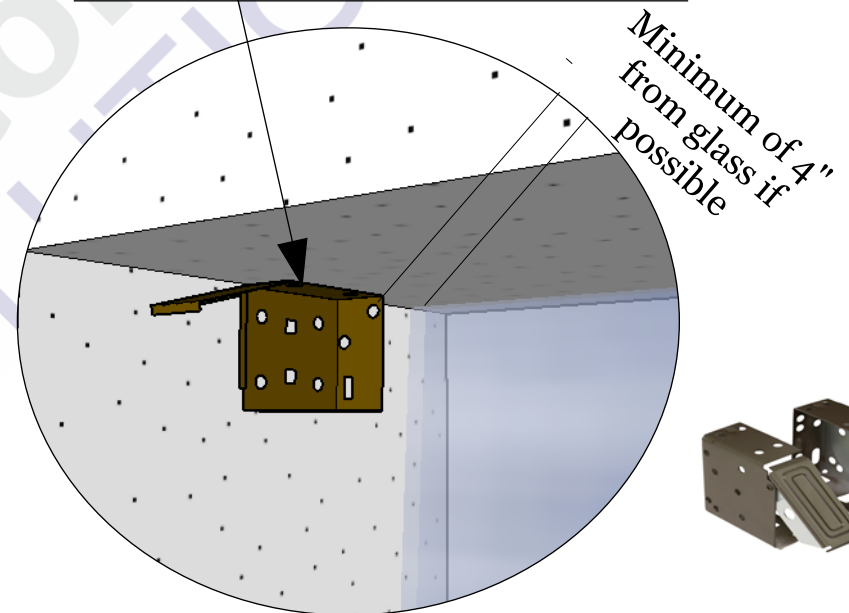
Tilt in Place
Brackets Shown



B

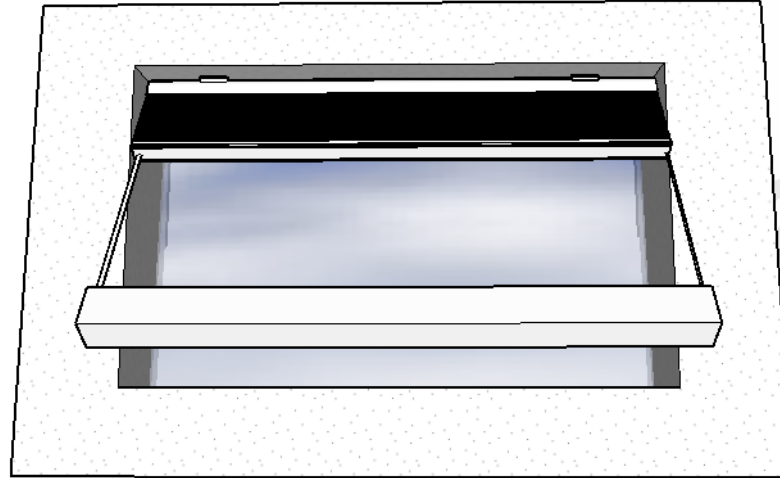


Box Brackets
Shown

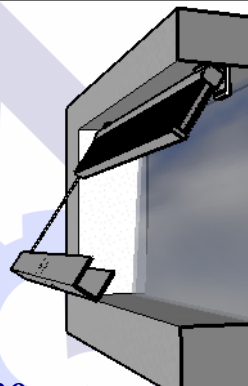


Step 2 - Installing the shade

Tilt the shade forward and connect it to the bracket.
The bracket style will vary depending on the model of shade.

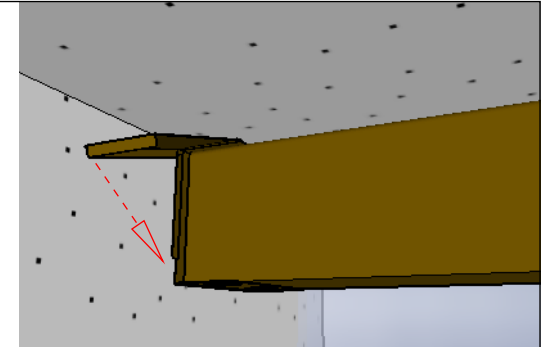


A
**Tilt in
Place
Bracket**



**Swivel the shade back towards the
glass to lock it in place.**

B
**Boxed
Brackets**

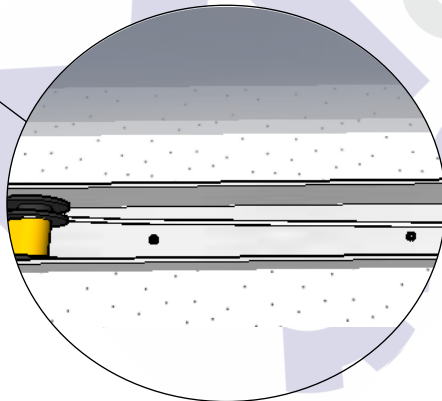
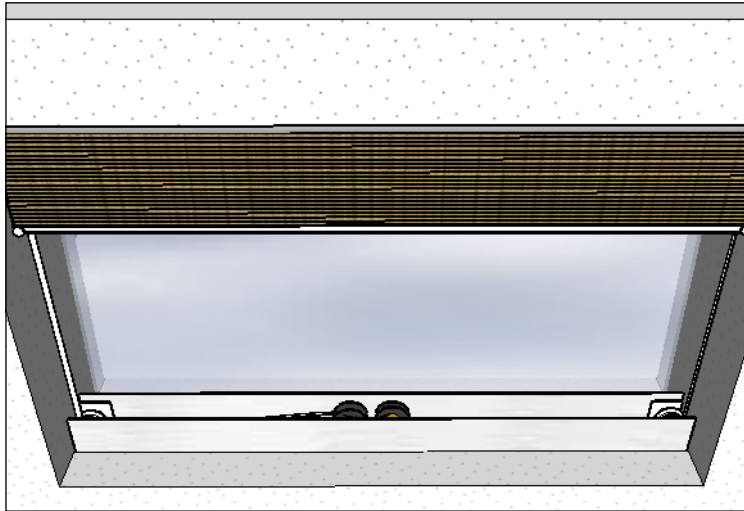


**Push the headrail into box
brackets and close them.**

Step 3 - Installing the Spring Rail

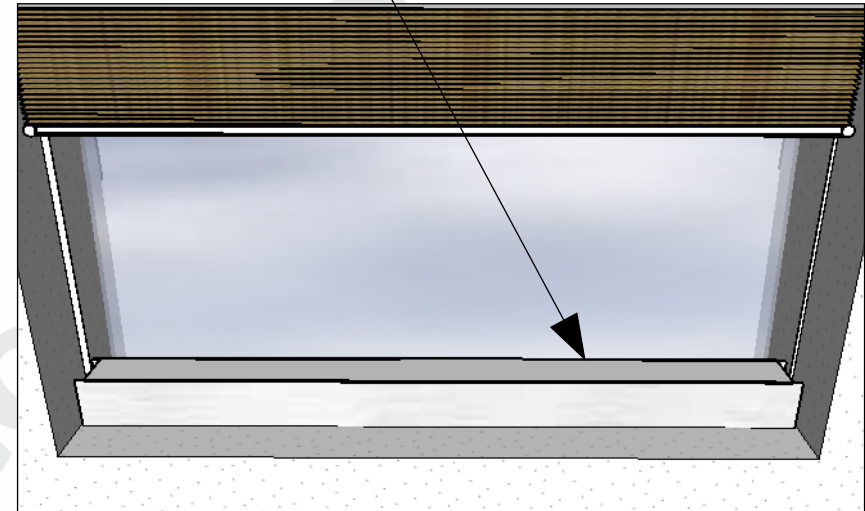
Install anchors in the spring rail spaced no more than 12" apart.

The screws are to be strong enough to support the weight of the rail plus 10 lbs.



Step 4 - Installing the Cap

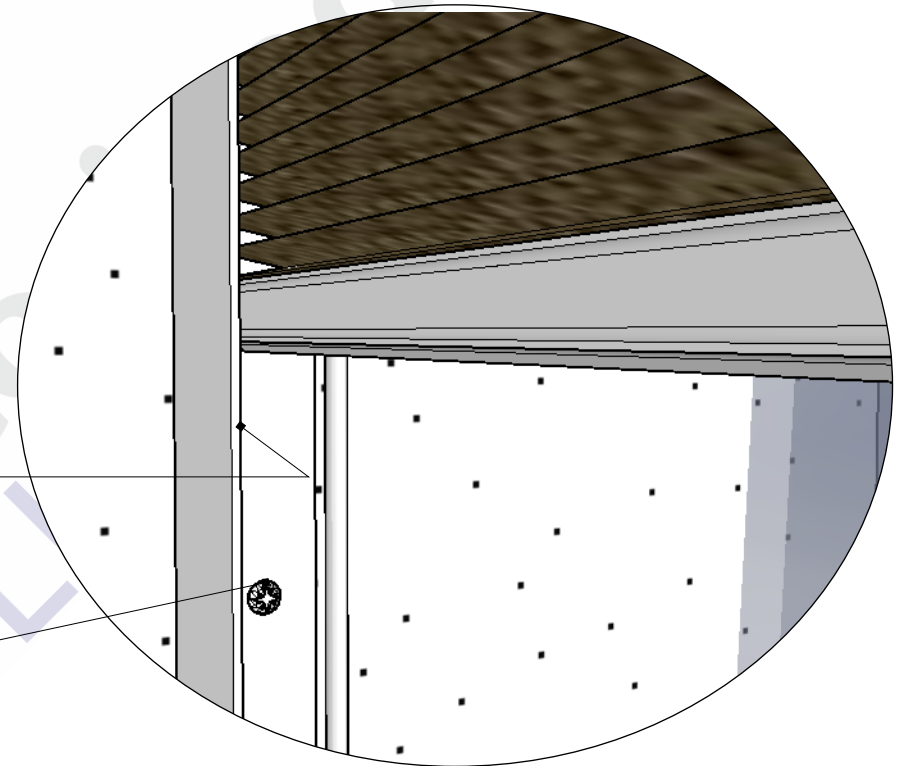
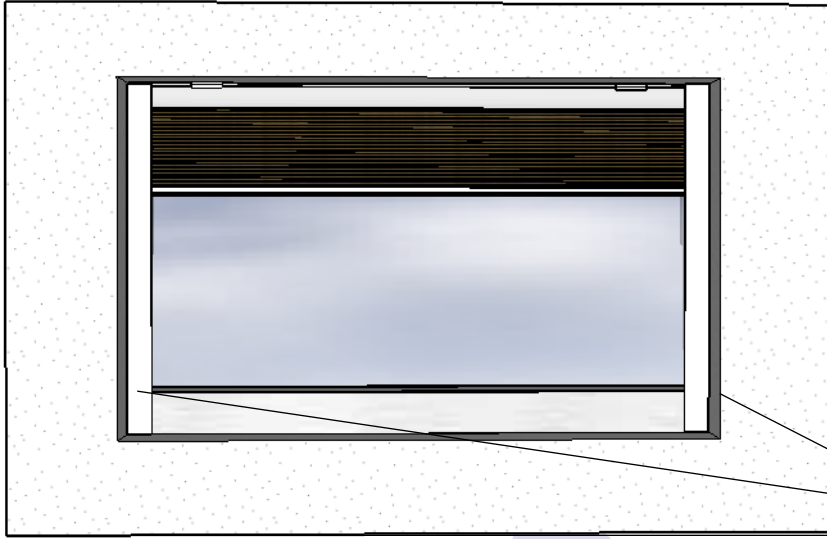
Snap the cap on to the spring rail



Step 5 - Guide Rail

Install anchors in the side guide rails.

Screw heads must sit flush so that they do not interfere with the moving rail.



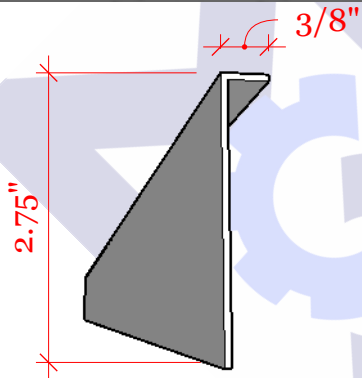
We recommend spraying silicone to the inside of the side rails for smooth operation.

Pre-drill a 1/8" pilot hole. Countersink the hole using a 1/2" countersink bit. Use #6 flat head Phillips screws.

Proceed to programming. A link to programming guides is provided at the last page of this instruction manual.

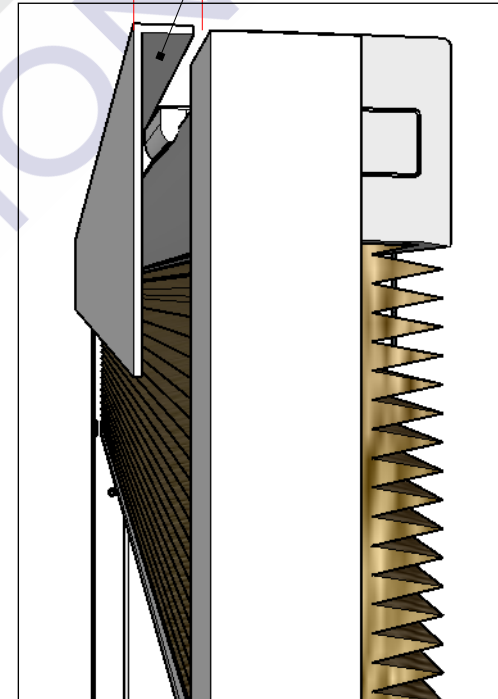
Optional Fascia

Drill holes through the 3/8" lip of the fascia to anchor it.



3/8" gap from headrail to allow access to screws

Install Screws Along This Lip



Programming Guides

Please scan the QR code or click the link below to be forwarded to the programming guides for instructions on how to set the upper and lower limits, assigning controls, etc.



Use the QR code above to access the instruction guide from a smart device.

[Click Here](#)

Use the link above to access the instruction guide from an electronic device.